

# DATA-SHIELD PURE LEAD VRLA UPS BATTERIES



**HBL<sup>®</sup>**



# Pure Lead VRLA Batteries for UPS

HBL's range of "Data-Shield" high rate batteries are designed to provide the highest discharge rates for critical datacenter/UPS applications. Advances in datacenter technology, high availability of the utility grid and on site generation have all contributed to shorter UPS back-up times. Data-shield has been designed with this in mind. The product delivers industry leading performance at back up times of 10 minutes or less.

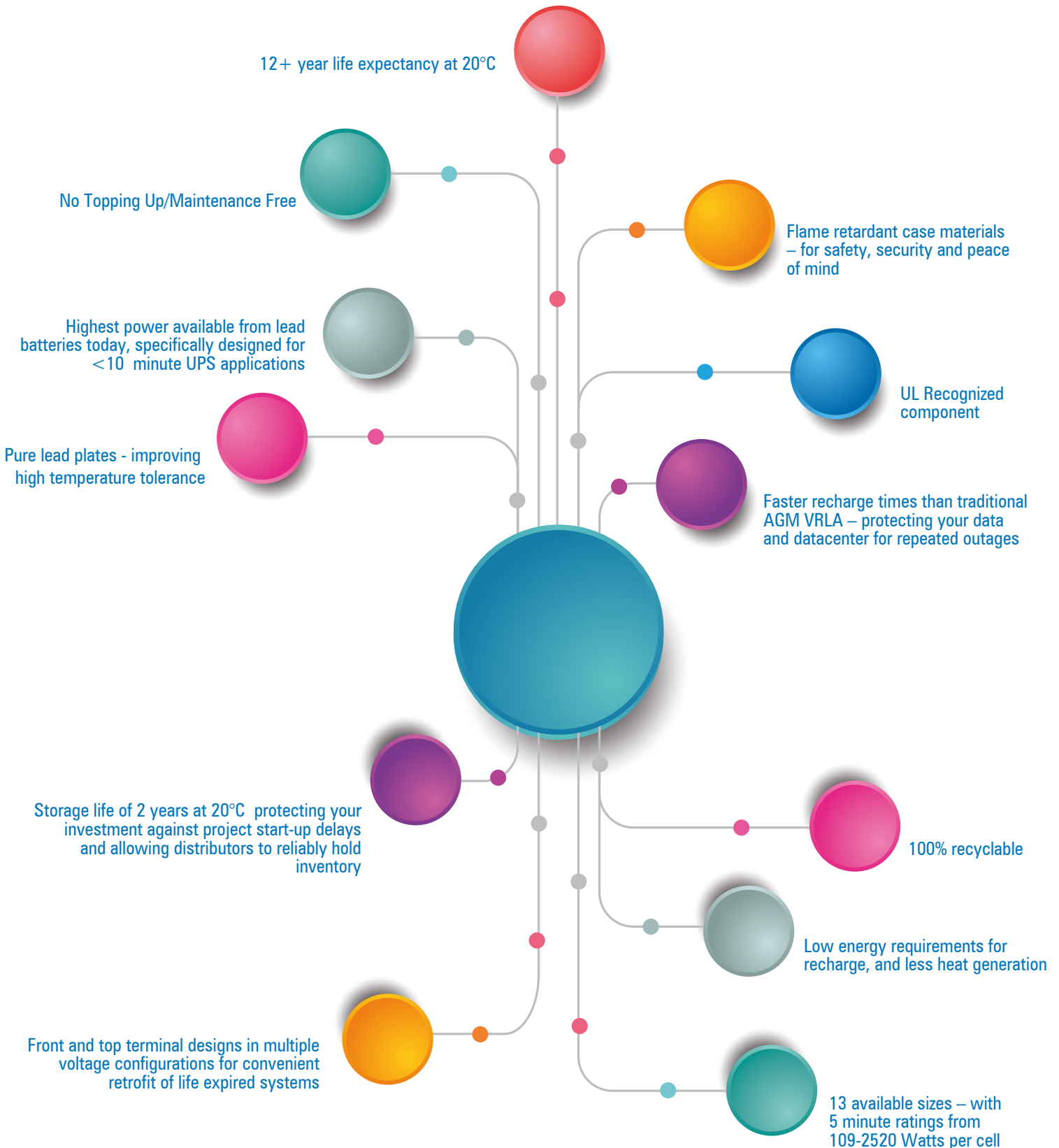
The critical back up time to allow standby generators to start and synchronize is typically less than 5 minutes. Data-shield delivers its optimal performance at these rates. The datacenter designer will reduce the battery footprint, reduce the cost and size of rectifiers, and save money by lowering energy consumption in cooling plants and recharging.

HBL's Data-Shields' electrical and high temperature performance exceeds all normal AGM VRLA products. It offers users a wide, flexible range of capacities – and the choice of top terminal and front terminal designs.

Outstanding design features ensure the total integrity and reliability of UPS installations.

**WHEN YOU RELY ON YOUR UPS - RELY ON DATASHIELD.**

# Features and Benefits



# Data-Shield UPS Batteries

## PURE LEAD VRLA BATTERIES FOR UPS

### CONSTRUCTION

Pure Lead grids with customize active materials for high temp performance. enhanced grid design for high power discharges

Separators – with fully absorbed electrolyte – Pure sulphuric acid with no contaminants

Leak proof post seals with custom welded security

ABS case and lid – UL94 V-0 flame retardant rating

Case-lid heat seal with high integrity bond ensuring no leaks.

High security pressure vents for operational safety

Battery posts with copper inserts to carry high currents of short rate discharges

Shock and vibration resistant designs.

Handles for ease of installation  
Maximizing capacity and recombination

### OPERATION

Batteries designed for easy mounting on racks or in cabinets

No separate battery room required

Low maintenance, no water additions

Float Voltage 2.27vpc  
@25°C/77°F

Datashield batteries should be installed on their base. Special horizontal mount racks can be designed for certain batteries if required.

Widest operating temperature -40°C to +50°C.

Storage life – up to 24 months at 20°C without freshening charge

Inter-block connectors can be supplied to specific layouts and rack configurations

### STANDARDS AND QUALITY

Compliant with the requirements of international standard IEC 60896-21/22

HBL sizing program uses IEEE485 methodology

Classified as “Very Long Life” (> 12 years) according to the 2015 Eurobat guide

UL recognised component

Classified as non-spillable and approved as non-hazardous cargo for ground, sea and air transportation in accordance with the requirements of IMDG (International Maritime code for Dangerous Goods) and ICAO (International Civil Aviation Organisation)

The management systems of HBL governing the manufacture of DataShield products are ISO 9001:2008, ISO 14001:2004 certified by Bureau Veritas.

# Dimensional and Electrical Data

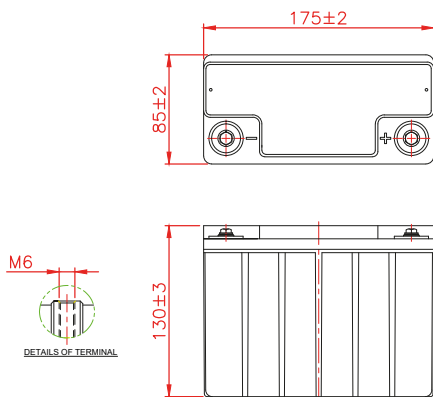
HBL Pure Lead Model		Capacity C10 @25°C to 1.80vpc	Dimensions LxWxH (mm)	Weight (Kg)	Watts/cell to 1.67vpv @25°C			
					1 min	5 min	10 min	15 min
12V Top Terminals	DS 12-109	13	175 x 85 x 130	5	182	109	72	58
	DS 12-134	16	181 x 76 x 168	6	224	134	88	70
	DS 12-252	30	163 x 142 x 200	12	420	252	165	140
	DS 12-319	38	249 x 97 x 201	13	532	319	209	164
	DS 12-420	50	220 x 121 x 245	19	700	420	275	215
	DS 12-588	70	330 x 168 x 176	23	980	588	385	300
	DS 12-840	100	410 x 175 x 225	36	1250	840	550	437
	DS 12-1260	150	525 x 220 x 225	56	1875	1260	825	660
12V Front Terminals	DS 12-608	75	490 x 110 x 225	24	900	608	390	296
	DS 12-810	100	510 x 110 x 240	32	1200	810	520	394
6V Top Terminals	DS 6-1008	120	205 x 197 x 235	23	1500	1008	660	473
	DS 6-1176	140	205 x 197 x 235	25	1750	1176	770	552
2V Top Terminals	DS 2-2520	300	209 x 139 x 283	19	3750	2520	1650	1285

HBL Data-Shield Batteries can be supplied with standard or seismic battery racks. We also manufacture a wide range of battery cabinets to safely house your batteries and to minimize floor space.

Inter-block connectors may be user specified as flexible cable types or solid lead plated copper type.

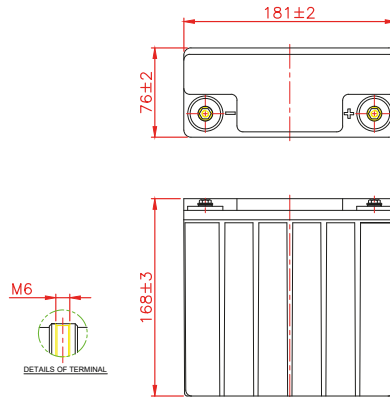
# Terminal Arrangements:

## DS 12-109



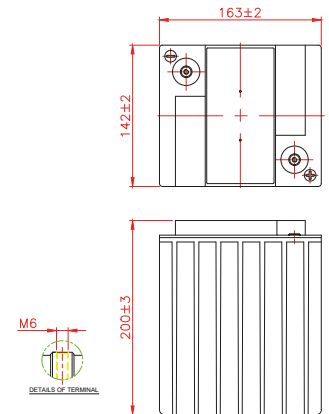
ALL DIMENSIONS ARE IN mm

## DS 12-134



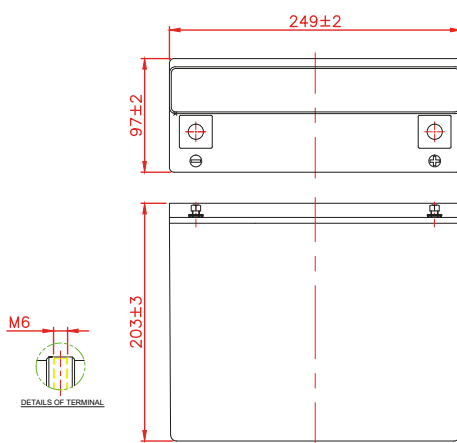
ALL DIMENSIONS ARE IN mm

## DS 12-252



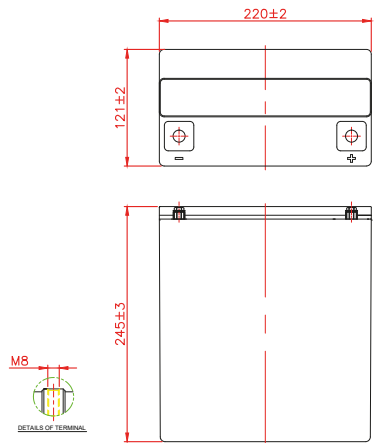
ALL DIMENSIONS ARE IN mm

## DS 12-319



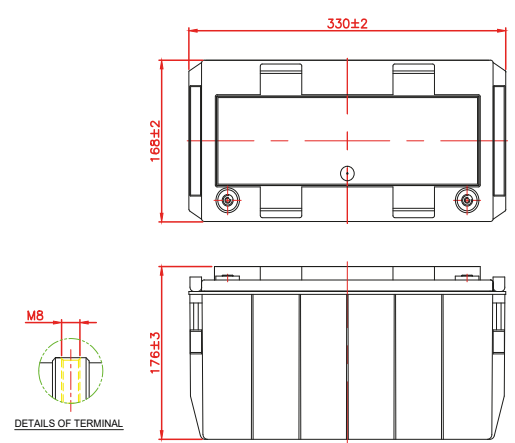
ALL DIMENSIONS ARE IN mm

## DS 12-420



ALL DIMENSIONS ARE IN mm

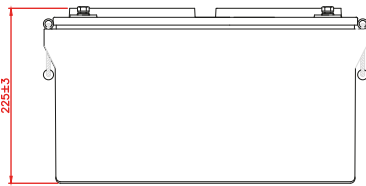
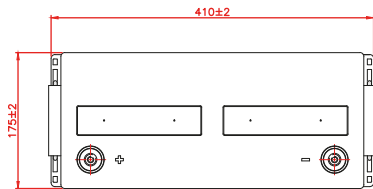
## DS 12-588



ALL DIMENSIONS ARE IN mm

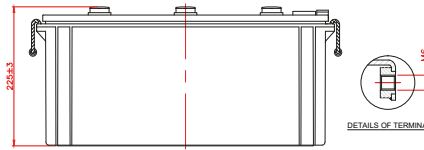
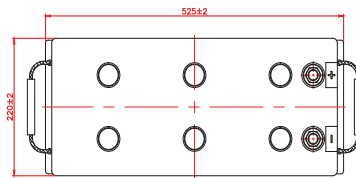
# Terminal Arrangements:

## DS 12-840



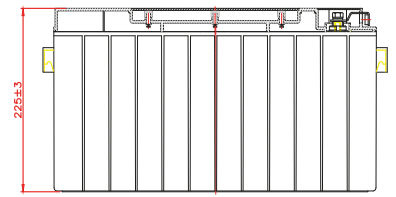
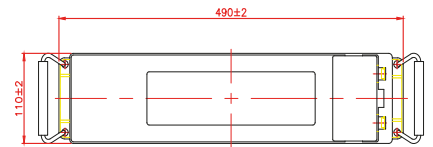
ALL DIMENSIONS ARE IN mm

## DS 12-1260



ALL DIMENSIONS ARE IN mm

## DS 12-608FT



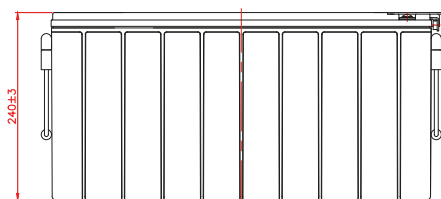
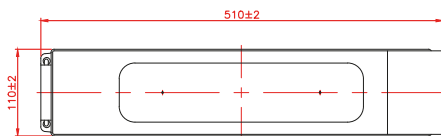
ALL DIMENSIONS ARE IN mm

## DS 6-1008

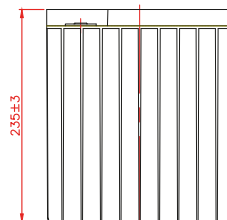
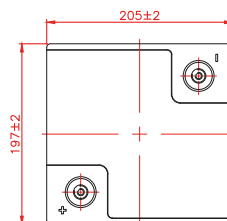
## DS 6-1176

## DS 2- 2520

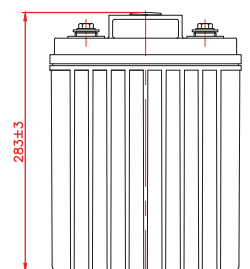
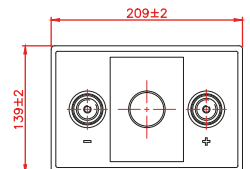
## DS 12-810FT



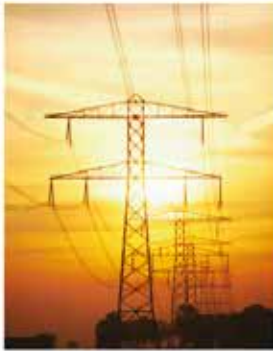
ALL DIMENSIONS ARE IN mm



ALL DIMENSIONS ARE IN mm



ALL DIMENSIONS ARE IN mm



# HBL<sup>®</sup>

## Customer Service and Support

### **HBL Power Systems Ltd.**

H.No.8-2-616, Plot No-4,  
Road No. 11, Banjara Hills,  
Behind: Minerva Grand Hotel,  
Hyderabad - 500 034. Telangana, India  
contact@hbl.in  
+91 -40-2330 5581 | 2330 5582

### **HBL America Inc.**

712, Brook St., Unit 107  
Rocky Hill, Connecticut,  
06067, USA  
www.hblbatteries.com  
(+1) 860 257 9800

### **HBL Germany GmbH.**

Emilienstraße 24A, 08056  
Zwickau, Germany  
www.hblpower.de  
(+49) 375 390 96597